

## Features

- Compliant with IEEE 802.3u and ANSI X3.263
- Designed to support 4 single or double stacked RJ45 connectors
- For multiport repeater and Ethernet switching Hub application
- 40 pin SMD
- RoHS compliant\*

## Applications

- LAN (Local Area Network)
- Ethernet

# PT61002L LAN 100Base-TX QUAD High Speed

### Electrical Specifications @ 25 °C

Turns Ratio	
TX .....	1:1
RX .....	1:1
OCL @ 8mADC $\mu$ H min. ....	350
Rise & Fall Time (ns max.) .....	2.5
Insertion Loss (dB max.)	
1 to 125 MHz.....	-1.0
Cross Talk (dB min.)	
1 to 60 MHz.....	-40
60 to 100 MHz.....	-30
Hipot 60 sec. (Vrms) .....	1500
Return Loss TX (dB min.)	
1 to 60 MHz.....	-15
60 to 100 MHz.....	-12
Return Loss RX (dB min.)	
1 to 60 MHz.....	-15
60 to 100 MHz.....	-12
Diff to Com Mode Rejection	
TX (dB min.)	
1 to 60 MHz.....	-40
60 to 100 MHz.....	-30
RX (dB min.)	
1 to 60 MHz.....	-40
60 to 100 MHz.....	-30
Operating Temperature... 0° C to +70 °C	

Other OCL specifications available on request.

### Packaging Specifications

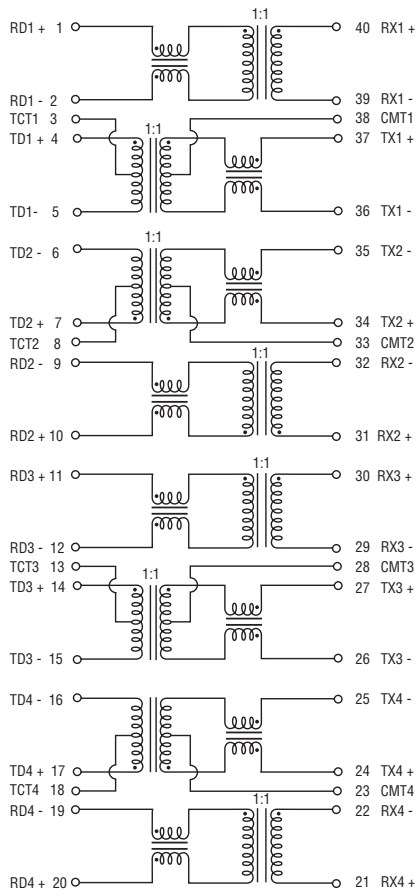
Tube.....	18 pcs./tube
Tape & Reel* .....	400 pcs./reel

\*"E" suffix before "L" in part number designates tape & reel packaging, e.g. PT61002EL.

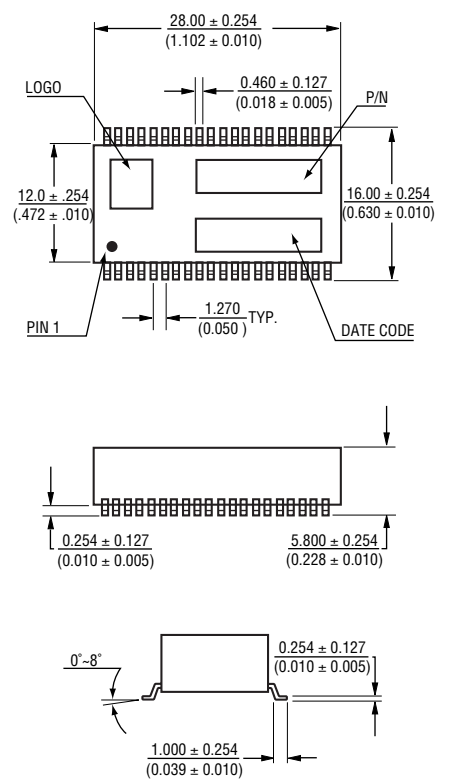
### How To Order

Model	PT61002	L
Packaging		
Blank =	Packaged in tubes	
E =	Tape and reel	
Termination		
L =	Tin only (RoHS Compliant)	

### Electrical Schematic



### Product Dimensions



### Recommended Layout

