




BOURNS®

Features

- 10 x 32 stainless steel binding post to connect ground straps and wiring
- Hinged cover and outside mounting feet
- Sectionalized grommet in base for wire entry
-  Listed per UL 497 & 1863 (File: E53117, E116756)

7040 Series – Station Protector Enclosure

The Model 7040 Series Station Protector is designed to protect telecommunication network services from overvoltages at the subscriber end of the loop. The 7040 accommodates up to two Station Protectors or one ADSL/VDSL POTS Splitter and one Station Protector.

The 7040 features a versatile, weather resistant enclosure, manufactured of high-impact resistant, ultraviolet-desensitized, flame retardant, UL Listed plastic. The enclosure can be custom embossed with a company logo or other details (see Custom Logo/Housing in How to Order chart below).

How to Order

7040 - 0X - X X - X1

Model Number Designator

Number of Twisted Pair Lines
 1 = One Line (Max. for DSL)
 2 = Two Lines

Station Protector Options

- D¹ = 455HS-MSP (2377-45-HS) Voice/Data/DSL (UL, cUL)
- U³ = 455HS-MSP (2377-45-HS-IDC) Voice/DSL/Data (UL, cUL)
- Z¹ = 455HS-BC* (2377-45-BC) Balance-Sensitive DSL (UL, cUL)
- W³ = 455HS-BC* (2377-45-BC-IDC) Balance-Sensitive DSL (UL, cUL)
- V³ = 455-MSP-TBU* (2377-45-HS-TBU) Balance-Sensitive MSP w/TBU® Protector (UL, cUL)
- Q³ = 455BC-MSP-TBU* (2377-45-BC-TBU) Balance-Sensitive MSP w/TBU® Protector (UL, cUL)
- E² = 155HS-MSP (2378-35-HS) Voice/DSL/Data (UL, cUL)
- Y² = 155HS-BC* (2378-35-BC) Balance-Sensitive DSL (UL, cUL)
- K = 356G (2377-35-G) Balanced GDT, No Back-Up-Gap (UL, cUL)
- R³ = 356G (2377-35-G-IDC) Balanced GDT, No Back-Up-Gap (UL, cUL)
- B = 125EW (2374-01) Dual Gas Tube (UL, cUL, Telcordia)
- C = 125EW-R (2375-01) Dual Gas Tube (UL, cUL, RUS)
- L = 356M (2377-01) Balanced Gas Tube (UL, cUL, RUS)
- T = Tii355M
- O = No Station Protectors (Not available with DSL configurations)

*For DSL systems requiring capacitive balance within 1 pF.
 Note 1 = Digi.Guard - 356 size, RUS Maximum Duty
 Note 2 = Digi.Guard II - 125 size, RUS Heavy Duty
 Note 3 = Insulation Displacement Connectors (IDC)

Custom Logo/Housing

Special markings available.
 Leave blank if no special logo desired.

DSL Options**

- P1 = (1) 3610A2 ADSL 2+ POTS Splitter, UL Listed
- P1-I = (1) 3610A2-IDC ADSL 2+ POTS Splitter with IDC, UL Listed
- V1 = (1) 3610V2 VDSL 2 POTS Splitter, UL Listed
- V1-I = (1) 3610V2-IDC VDSL 2 POTS Splitter with IDC, UL Listed

**DSL Configuration Note:

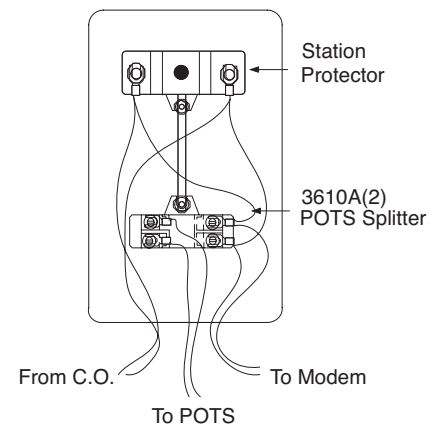
Can only be ordered in one line configurations.

Product Dimensions

High	Wide	Deep
$\frac{144.8}{(5.7)}$	$\frac{86.4}{(3.4)}$	$\frac{55.9}{(2.2)}$

DIMENSIONS: $\frac{\text{MM}}{\text{(INCHES)}}$

Installation Diagram



BOURNS®

Asia-Pacific: Tel: +886-2 2562-4117 • Fax: +886-2 2562-4116

Europe: Tel: +41-41 768 5555 • Fax: +41-41 768 5510

The Americas: Tel: +1-951 781-5500 • Fax: +1-951 781-5700

www.bourns.com