

Features

- RoHS compliant*
- ESD protection >25 kV
- Low capacitance <0.5 pF
- Low leakage current <10 nA

Applications

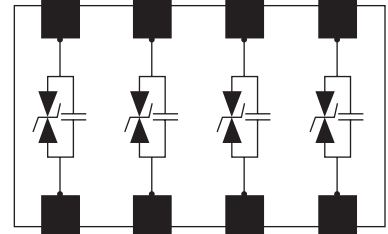
- HDMI 1.4
- Digital Visual Interface (DVI)
- USB 3.0 / USB OTG
- Memory protection
- SIM card ports

ChipGuard® CG1206MLC Series - ESD Protector Array

General Information

The ChipGuard® CG1206MLC Series has been specifically designed to protect sensitive electronic components from electrostatic discharge damage. The MLC family has been designed to protect equipment to IEC61000-4-2, Level 4 (± 8 kV Contact / ± 15 kV Air Discharge) ESD specifications targeted for high speed USB 3.0/USB OTG, HDMI 1.4, DVI or IEEE1394 applications.

The ChipGuard® CG1206MLC Series has been manufactured to provide low 0.5 pF capacitance and leakage currents less than 10 nA with excellent clamp qualities, making the family almost transparent under normal working conditions.

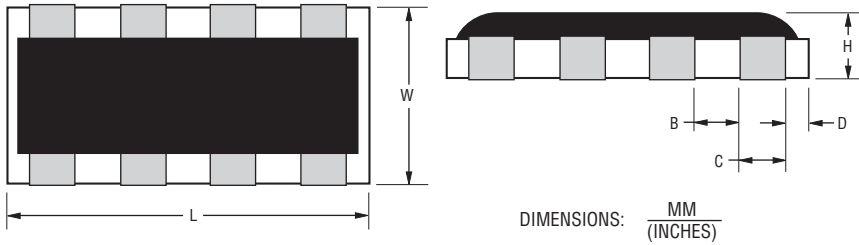


Electrical & Thermal Characteristics @ $T_A = 25^\circ\text{C}$ (unless otherwise noted)

Parameter	Symbol	CG1206MLC-12E	Unit
Typical Continuous Operating Voltage	V_{DC}	12	V
Typical Clamping Voltage (Note 1)	V_C	30	V
Maximum Capacitance @ 1 VRMS 1 MHz	C_O	0.5	pF
Maximum Leakage Current @ Max. VDC	I_L	10	nA
Typical Trigger Voltage (Note 2)	V_T	150	V
Maximum Response Time	R_T	1	ns
ESD Protection: Per IEC 61000-4-2 Level 4			
Min. Contact Discharge (>100 Reps)		± 8	kV
Min. Air Discharge (>100 Reps)		± 15	kV
Operating Temperature	T_{OPR}	-40 to +85	$^\circ\text{C}$
Storage Temperature	T_{STG}	-40 to +85	$^\circ\text{C}$

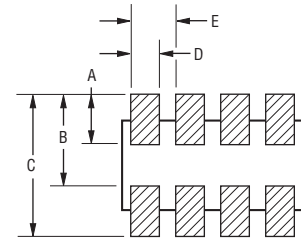
*RoHS Directive 2002/95/EC Jan 27 2003 including Annex.
 Specifications are subject to change without notice.
 Customers should verify actual device performance in their specific applications.

Product Dimensions



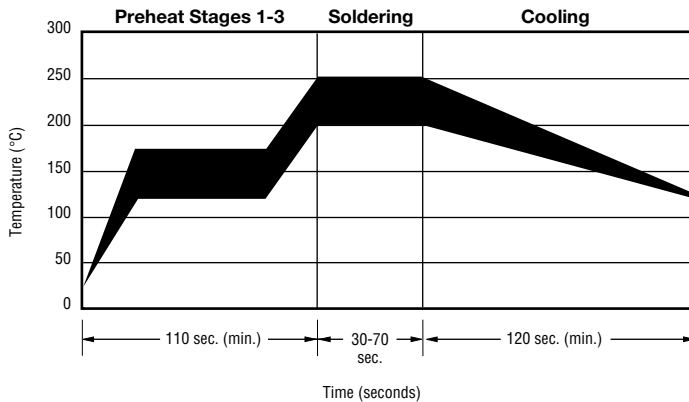
Dimension	CG1206 Series
B	$\frac{0.40 \pm 0.20}{(0.016 \pm 0.008)}$
C	$\frac{0.40 \pm 0.20}{(0.016 \pm 0.008)}$
D	$\frac{0.20 \pm 0.10}{(0.008 \pm 0.004)}$
H	$\frac{0.50 \pm 0.10}{(0.019 \pm 0.004)}$
L	$\frac{3.20 \pm 0.20}{(0.127 \pm 0.008)}$
W	$\frac{1.60 \pm 0.20}{(0.065 \pm 0.008)}$

Recommended Pad Layout



Dim.	CG1206 Series
A	$\frac{0.60}{(0.024)}$
B	$\frac{1.60}{(0.063)}$
C	$\frac{2.20}{(0.087)}$
D	$\frac{0.50}{(0.020)}$
E	$\frac{0.80}{(0.03)}$

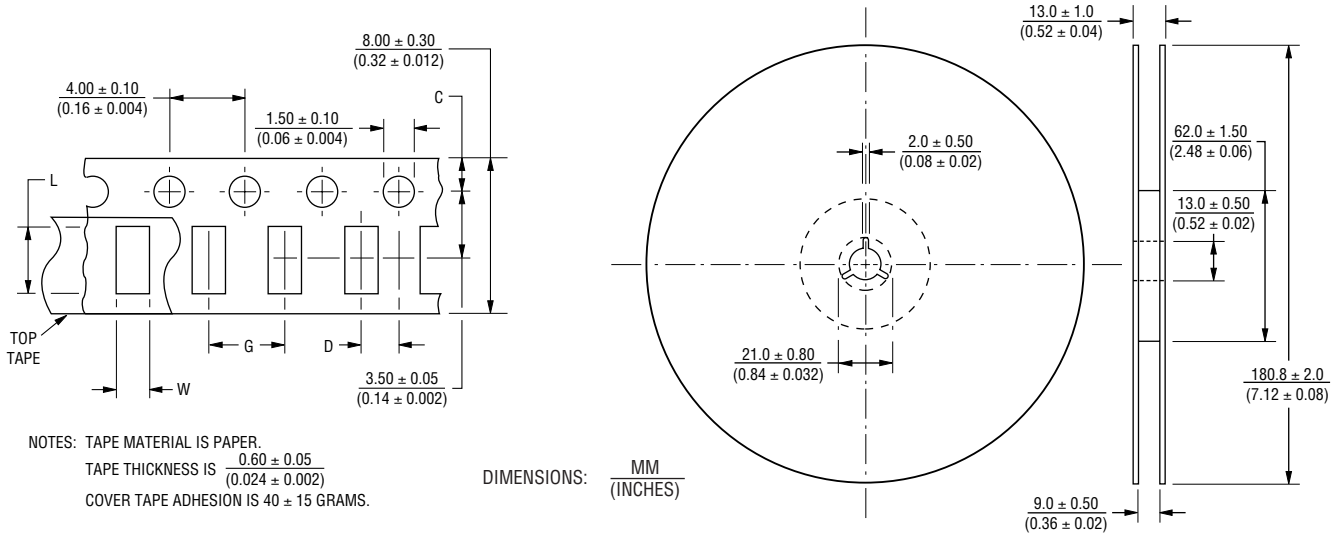
Solder Reflow Recommendations



A	Stage 1 Preheat	Ambient to Preheating Temperature	30 s to 60 s
B	Stage 2 Preheat	140 °C to 160 °C	60 s to 120 s
C	Stage 3 Preheat	Preheat to 200 °C	20 s to 40 s
D	Main Heating	200 °C	60 s to 70 s
		210 °C	55 s to 65 s
		220 °C	50 s to 60 s
		230 °C	40 s to 50 s
		240 °C	30 s to 40 s
E	Cooling	200 °C to 100 °C	1 °C/s to 4 °C/s

- This product can be damaged by rapid heating, cooling or localized heating.
- Heat shocks should be avoided. Preheating and gradual cooling recommended.
- Excessive solder can damage the device. Print solder thickness of 150 to 200 um recommended.
- Solder gun tip temperature should be kept below 280 °C and should not touch the device directly. Contact should be less than 3 seconds. A solder gun under 30 watts is recommended.

Packaging Dimensions



Dimension	CG1206 Series
C	$\frac{1.75 \pm 0.10}{(0.069 \pm 0.004)}$
D	$\frac{2.00 \pm 0.05}{(0.080 \pm 0.002)}$
L	$\frac{3.50 \pm 0.20}{(0.138 \pm 0.008)}$
W	$\frac{1.90 \pm 0.20}{(0.075 \pm 0.008)}$
G	$\frac{4.00 \pm 0.10}{(0.16 \pm 0.004)}$

How to Order

CG 1206 - MLC 12 E

ChipGuard®
 Product Designator

Package Option
 1206 = 1206 Package

Model Series
 MLC = Low Capacitance

Working Peak Voltage
 12 = 12 V

Tape & Reel Packaging
 E = 5,000 pcs. per reel



Asia-Pacific: TEL +886-2 25624117 • FAX +886-2 25624116
Europe: TEL +41-41 7685555 • FAX +41-41 7685510
The Americas: TEL +1-951 781-5500 • FAX +1-951 781-5700
www.bourns.com