



Features

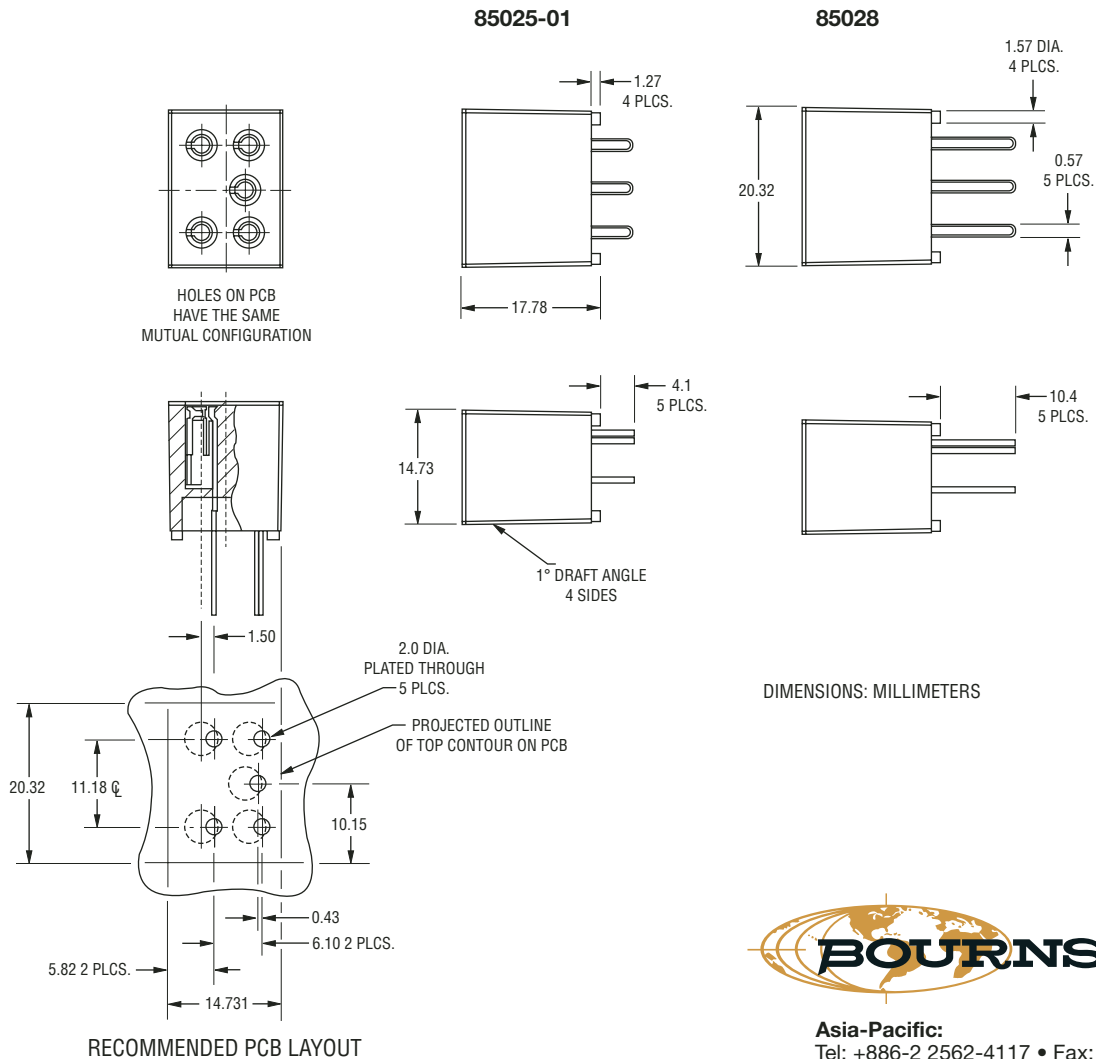
- Simple installation
- Enables board mounted, replaceable 5-pin protection
- Industry standard footprint
- Gold plated contact points
- RoHS compliant*

85025 and 85028 Receptacle for 5-Pin Surge Protectors

Bourns® 8502x receptacles are a convenient way to add primary surge protectors to printed circuit boards. They accept Bourns® 2410 and 2420 Series 5-Pin Surge Protectors and other manufacturers' 5-pin protectors. These adapters are equipped with gold-plated contacts for excellent conductivity and corrosion resistance.

The 85025-01 has short mounting pins for PCB through-hole mounting and the 85028 has extended pins for wire-wrap applications. The block is made from telecom-grade, V94-0 UL rated thermoplastic.

Product Dimensions



Asia-Pacific:

Tel: +886-2 2562-4117 • Fax: +886-2 2562-4116

Europe:

Tel: +41-41 768 5555 • Fax: +41-41 768 5510

The Americas:

Tel: +1-951 781-5500 • Fax: +1-951 781-5700

www.bourns.com

REV. C 10/08

*RoHS Directive 2002/95/EC Jan 27 2003 including Annex.
Specifications are subject to change without notice.
Customers should verify actual device performance in their specific applications.