


## Features

- Protects up to four lines
- Fast and easy installation
- High surge-energy handling
- Long service life
-  Listed per UL 497B (File: 153537)

## Applications

- Power Over Ethernet (POE)
- Wireless access points
- IP telephony & cameras
- High-speed applications
- Midspan PSE

# 7205 Series Surge Protection Assembly

Bourns® Model 7205 is a high quality surge protection device that is designed to prevent damage to equipment and personnel from electrical transients up to rated limits. It incorporates Bourns® Gas Discharge Tube (GDT) surge protection for high surge-energy handling with Insulation Displacement Connectors (IDCs) which simplify installation. Unstripped copper 22-26 AWG wire is inserted and the connector is closed – no tools required. The board-mounted components are enclosed in a UL Listed, weather-resistant enclosure. A #10 stud is provided for connection to ground. The cover may be embossed with an optional custom logo.

## Characteristics

Test Methods per ITU-T (CCITT) K.12, IEEE C62.31, RUS PE80, Telcordia GR-1361.

DC Sparkover ±20% .....	100 V/s .....	150 V
Impulse Sparkover .....	100 V/μs .....	350 V
	1000 V/μs .....	575 V
Impulse Transverse Delay .....	1000 V/μs .....	< 75 ns
Insulation Resistance .....	100 V .....	> 10 <sup>10</sup> Ω
Glow Voltage .....	10 mA .....	~ 70 V
Arc Voltage .....	1 A .....	~ 10 V
Glow-Arc Transition Current .....		< 0.5 A
Capacitance .....	1 MHz .....	< 2 pF
DC Holdover Voltage <sup>1</sup> .....	> 80 V .....	< 150 ms
Impulse Discharge Current .....	20000 A, 8/20 μs .....	> 10 operations
	1000 A, 10/1000 μs .....	> 400 operations
Alternating Discharge Current .....	130 Arms, 11 cycles <sup>2</sup> .....	1 operation min.
	20 Arms, 1 s .....	> 10 operations
Operating and Storage Temperature .....		-40 to +85° C

## Notes:

- UL Listed per file 153537.
- Model number marking on part: 26-xxx V.
- The rated discharge current is the total current equally divided between each line to ground.
- Sparkover limits after life ±25 %, IR >10<sup>8</sup> Ω.

<sup>1</sup> Network applied.

<sup>2</sup> DC sparkover may exceed ±25 % after discharge, but will continue to protect without venting.

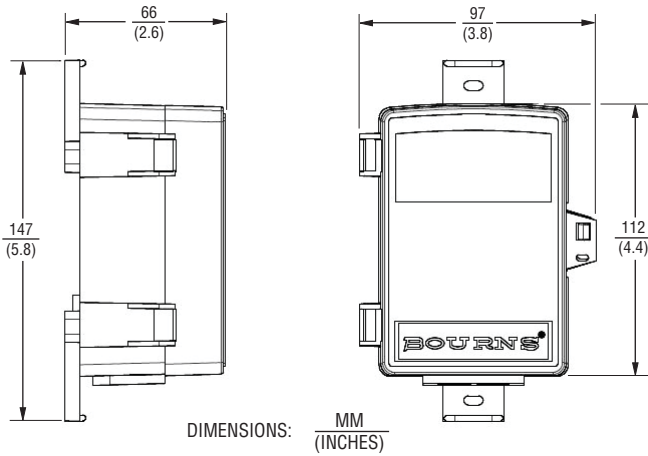


**Asia-Pacific:** Tel: +886-2 2562-4117 • Fax: +886-2 2562-4116  
**Europe:** Tel: +41-41 768 5555 • Fax: +41-41 768 5510  
**The Americas:** Tel: +1-951 781-5500 • Fax: +1-951 781-5700  
[www.bourns.com](http://www.bourns.com)

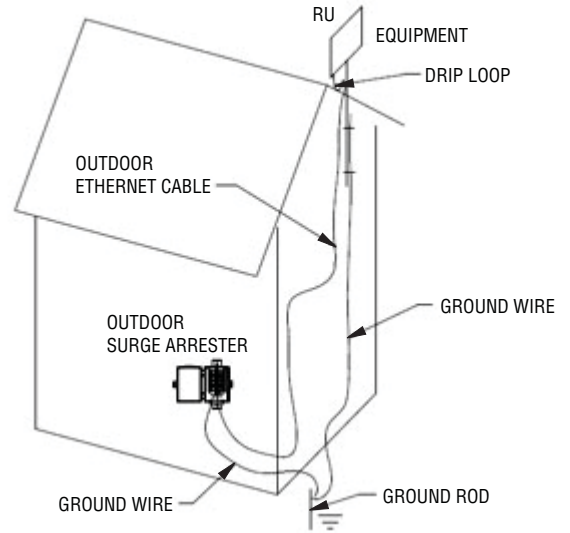
# 7205 Series Surge Protection Assembly

**BOURNS®**

## Product Dimensions



## Installation Diagram



## How to Order

**7205 - 0X - 26 X 15**

