



Features

- Optimized for extended reach
- Fast and easy installation
- Service interoperability and compatibility with most existing NIDs
- UL Listed per 1863
- RoHS compliant*

Applications

- Twisted pair coax conversion
- HPNA
- Triple Play
- xDSL service extension on COAX

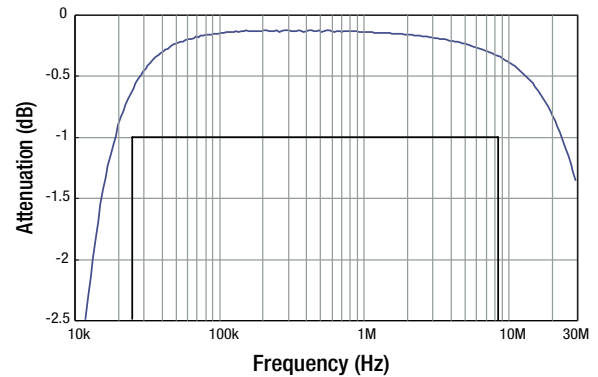
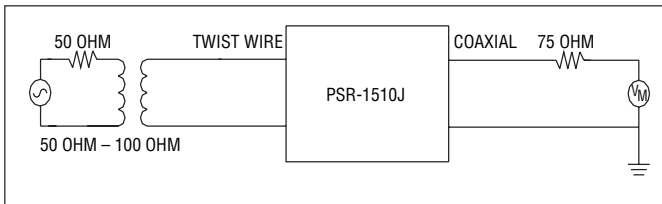
3670 Series Balance-Unbalance Adapter

Bourns® Model 3670-01 is a high quality impedance matching unit optimized to extend reach/reduce loss on ADSL2+ and VDSL2 circuits where conversion from twisted pair to existing coaxial cabling is required. The 3670-01 is configured with flying leads for connection of the twisted pair circuit so no new wires are required. Dual mounting flanges provide flexibility in installation.

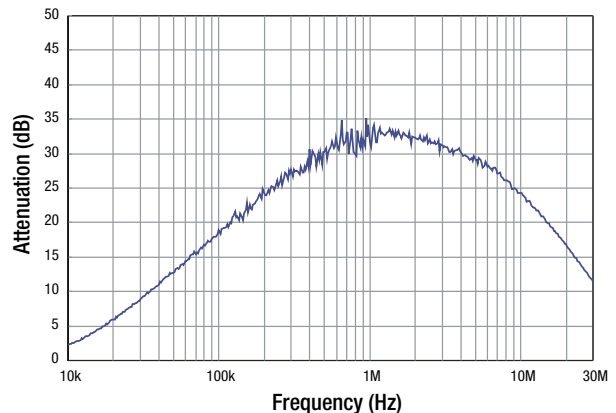
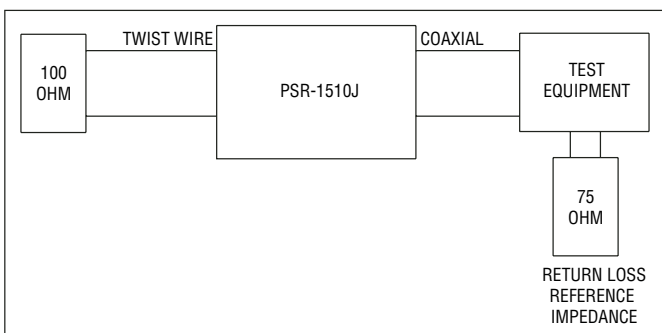
Characteristics

Twisted Wire Port Impedance	100 Ω
Coax Port Impedance	75 Ω
Withstanding Voltage	DC 330 V, 2 sec. (I _{co} =10 mA)
Insulation Resistance	>10 MΩ (DC 250 V)
Insertion Loss (typical).....	0.55 dB @ 25 kHz 0.13 dB @ 138 kHz 0.22 dB @ 3.75 MHz 0.28 dB @ 5.8 MHz 0.35 dB @ 8.5 MHz
Return Loss (Typical)	7.83 dB @ 25 kHz 21.47 dB @ 138 kHz 29.49 dB @ 3.75 MHz 32.13 dB @ 5.8 MHz 31.92 dB @ 8.5 MHz

Insertion Loss



Return Loss

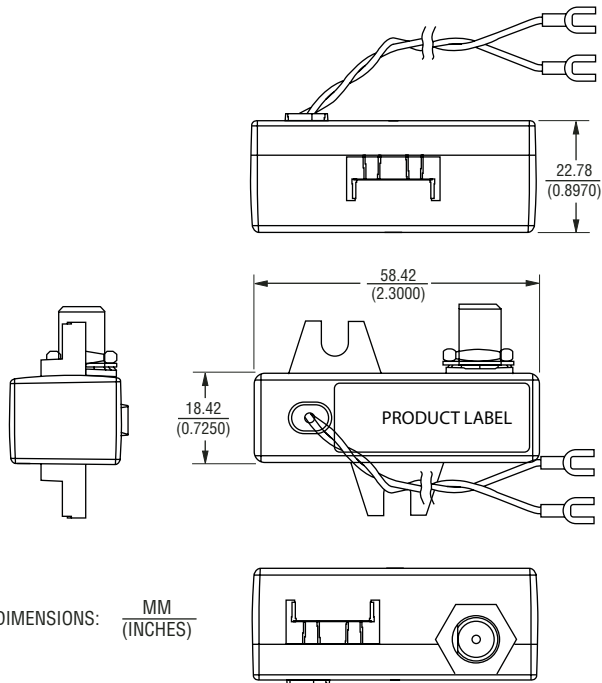


*RoHS Directive 2002/95/EC Jan 27 2003 including Annex.
Specifications are subject to change without notice.
Customers should verify actual device performance in their specific applications

3670 Series Balance-Unbalance Adapter

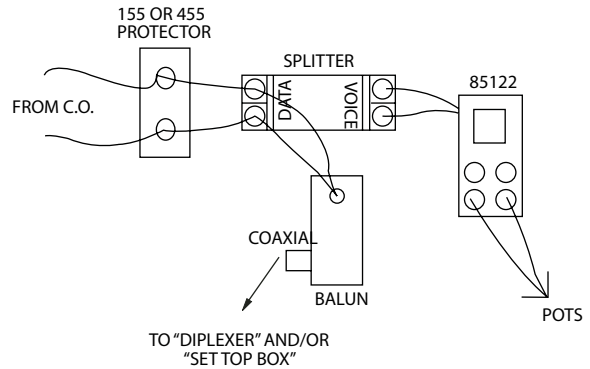
BOURNS®

Product Dimensions



Installation Diagram

Wiring Schematic for BALUN:
 The BALUN is intended to be used in a UL listed NID enclosure. Circuit shows BALUN connected to "DATA" port of the splitter.



How to Order

Stud Mount.....Part No. 3670-01, 50 units per carton



Asia-Pacific:

Tel: +886-2 2562-4117 • Fax: +886-2 2562-4116

Europe:

Tel: +41-41 768 5555 • Fax: +41-41 768 5510

The Americas:

Tel: +1-951 781-5500 • Fax: +1-951 781-5700

www.bourns.com

REV. A 08/08

Specifications are subject to change without notice.
 Customers should verify actual device performance in their specific applications