




## Features

- Optimized for video over ADSL 2+ applications
- Improves ADSL performance for short loops
- Maximizes SNR across ADSL bins in customer premise
- Service interoperability and compatibility
- Multiple “Home Run” connections
-  UL Listed (File: E116756)

## 366x Series Binder Equalization Module

Bourns® 366x Series of ADSL Binder Equalization Modules are designed to enhance the deployment of ADSL and ADSL2/2+ service at the customer premises. Bourns, Inc. has worked closely with Allied Telesyn, Inc. in optimizing the patent pending product for high bit rate video over ADSL2+ applications. The Binder Equalization Module improves line performance for installations where the customer premises is near the Remote Terminal or Central Office (headend) by equalizing the ADSL / ADSL2+ signal levels in the OSP (outside cable plant). The equalization shaping maximizes the signal to noise ratio (SNR) in the ADSL band without impacting POTS band performance. In the event of power loss, the passive design allows continued lifeline POTS service.

The 366x Series is available in three footprints for installation in most industry standard Network Interface Devices (NIDs). Custom product is available with various degrees of attenuation. The 366x occupies only a single space in Bourns® and other manufacturers' NIDs.

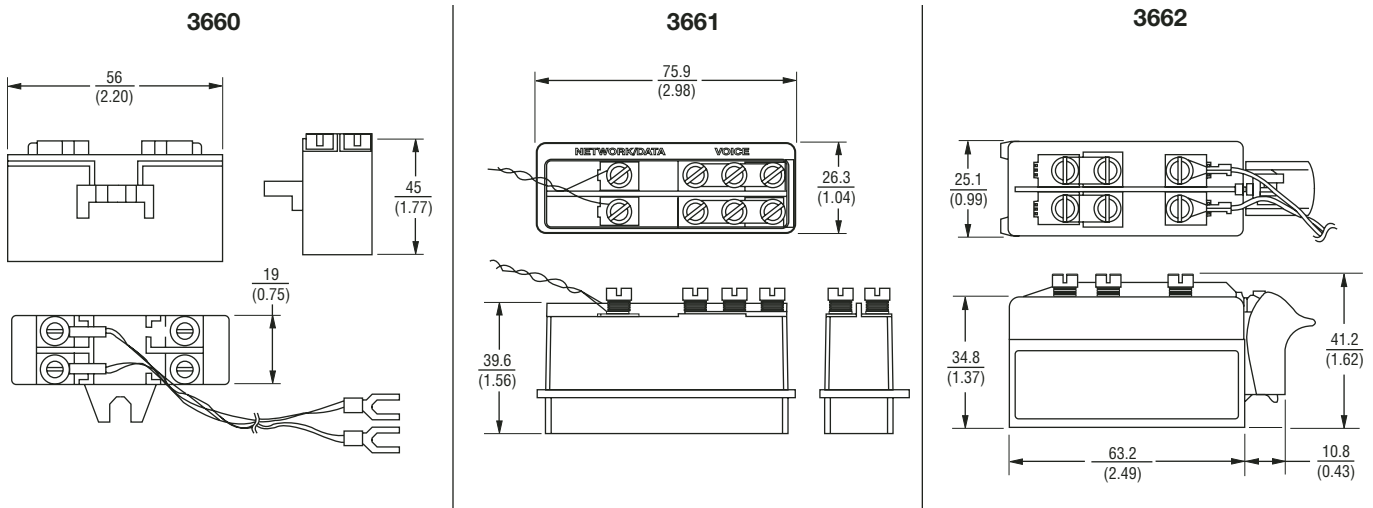
### Characteristics

DC Loop Current .....	0-100 mA
DC Loop Voltage .....	0 to -60 V
DC Resistance .....	132 ohms
Tip to Ring Capacitance .....	100 nF @ 30 Hz

### How To Order

Stud Mount .....	Part #3660
Press Mount .....	Part #3661
Bus Mount .....	Part #3662

### Product Dimensions

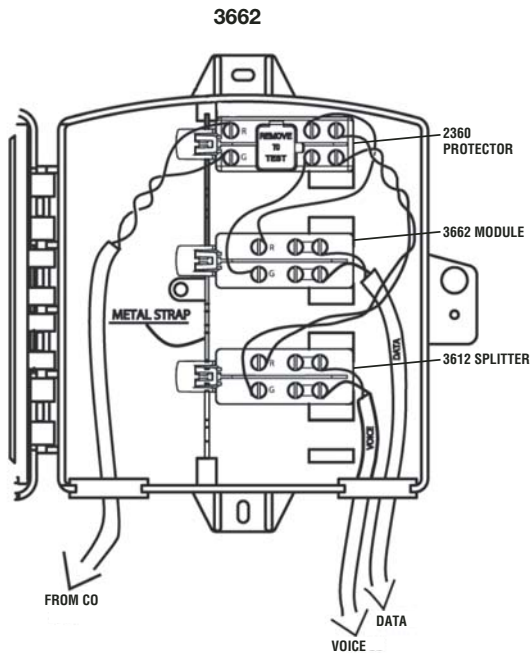
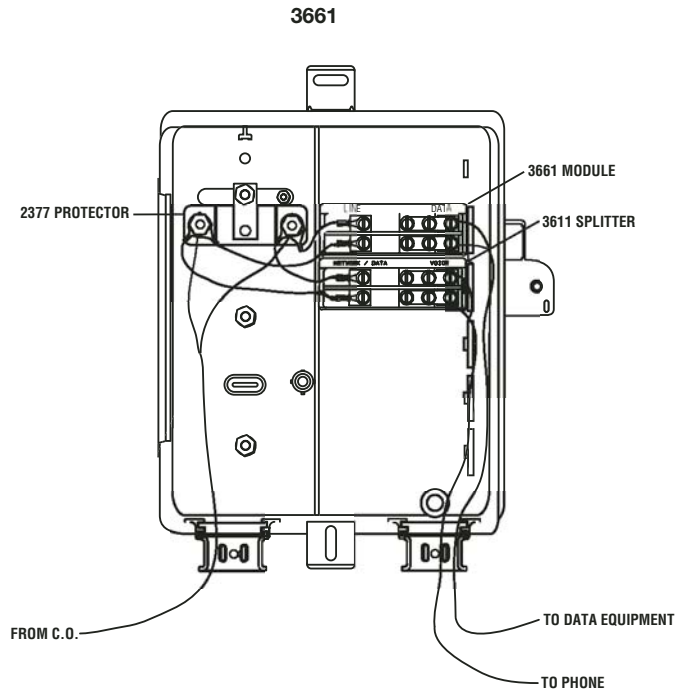
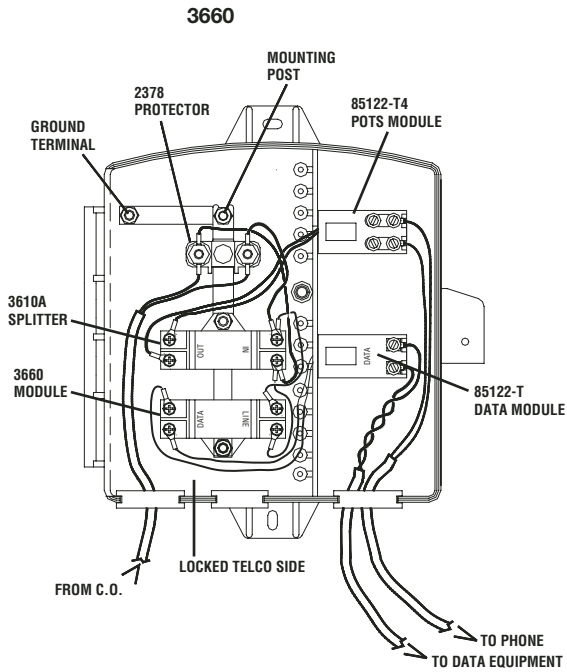


Specifications are subject to change without notice.  
Customers should verify actual device performance in their specific applications.

# 366x Series Binder Equalization Module

**BOURNS®**

## Installation Diagrams



*Reliable Electronic Solutions*

**Asia-Pacific:**

TEL +886- (0)2 25624117  
 FAX +886- (0)2 25624116

**Europe:**

TEL +41-41 7685555  
 FAX +41-41 7685510

**The Americas:**

TEL +1-951 781-5500  
 FAX +1-951 781-5700

[www.bourns.com](http://www.bourns.com)

REV. C 05/05

Specifications are subject to change without notice.  
 Customers should verify actual device performance in their specific applications.