




Features

- Faster & easier DSL installations
- Reliable, high-quality DSL service
- Fits a wide range of manufacturers' NIDs
- Flexibility & expandability
- Service interoperability & compatibility
- Faster field upgrades
- Superior environmental protection
- Optimal VDSL data rates
- Longer service life
-  UL listed (File: E116756)

3630A – VDSL POTS Splitter

Bourns 3630A VDSL POTS Splitter is designed to simplify the deployment of VDSL service at the subscriber's network interface. ANSI T1E1.4 compliant, the 3630A accepts the incoming VDSL service, filters off the voice (POTS) and ISDN channels and provides connection for DSL data services (DSL modem). For subscriber safety, the passive filter design allows for lifeline POTS service in the event of a power interruption.

When the 3630A is installed inside a Bourns Network Interface Device (NID), combined with our Multi-Stage (MSP®) Station Protectors and Sealed Subscriber Switching Jack, Bourns provides a complete VDSL solutions package at the subscriber premises.

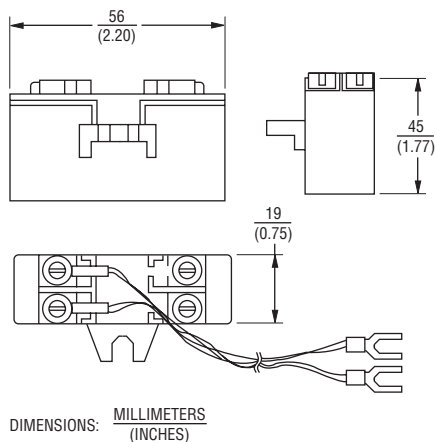
Characteristics

DC Loop Current	0-100 ma
DC Loop Voltage	0 to -60 V
DC Resistance	≤25 ohms
Insertion Loss	<1.5 dB (0.2 to 80 kHz)
Delay Distortion (Voice and ISDN Band)	ISDN: <200 μs
Return Loss	6 dB ERL; 5 dB SRL-Low; 3.0 dB SRL-High ISDN: >14 dB (0.2 to 80 kHz)
Longitudinal Balance, Two Port Technique	58 dB @ 0.2 - 1 kHz; >53 dB @ 3 kHz; >53 dB @ 0.2 to 80 kHz
Tip to Ring Capacitance (POTS Port)	<90 nf

How To Order

.....Part #3630A

Product Dimensions



Reliable Electronic Solutions

Asia-Pacific:

TEL +886-2 25624117
FAX +886-2 25624116

Europe:

TEL +41-41 7685555
FAX +41-41 7685510

The Americas:

TEL +1-951-781-5500
FAX +1-951 781-5700

www.bourns.com

REV. G

Specifications are subject to change without notice.

Customers should verify actual device performance in their specific applications.