


## Features

- Combines ADSL2+ / VDSL2 splitter with twisted pair to coaxial adapter
- Saves space by only occupying a single position in standard NIDs
- Fast and easy installation
- Service interoperability and compatibility with most existing NIDs
- Bus mount - occupies one position in the NID
-  UL Listed per 1863

## 3617-02 VDSL-POTS Splitter-Filter-BalUn

Bourns® 3617-02 VDSL-POTS Splitter-Filter-BalUn combines a 75 to 100 ohm impedance matching circuit with the circuitry of our 3610A2 series ADSL2+/VDSL2 POTS Splitter. The 3617-02 is optimized for video with specialized circuitry to withstand ring trip currents as high as 400 mA. The 3617-02 is designed to be compatible with various types of NIDs.

The 3617-02 is ANSI T1.413 compliant and meets the requirements of ITU G.992.3 and G.992.5 and can be used with ADSL, ADSL2+, VDSL and VDSL2. The POTS splitter circuit accept the incoming combined voice & data service, filters off the voice (POTS) channel and provides a connection point to the impedance matching circuit. In the event of power loss, the passive filter design allows for lifeline POTS service.

The impedance matching circuit (BalUn) is designed to increase reach and reduce loss on ADSL2+ and VDSL2 applications where conversion from twisted pair to coaxial cabling is required. The 3617-02 is configured with twisted pair leads for connection to the station protector, Insulation Displacement Connectors (IDCs) for connection of the twisted pair home run, "F" coax connector for connection to home coax cable and an integrated subscriber test jack. A ground wire connection is provided for shielding of the POTS splitter circuitry.

### Characteristics

Twisted Wire Port Impedance .....	100 Ω
Coax Port Impedance .....	75 Ω
Withstand Voltage .....	DC 33 V, 2 sec (Ico=10 mA)
Insulation Resistance .....	>10 MΩ (DC 250 V)
Insertion Loss (Typical) .....	0.55 dB @ 25 kHz
	0.13 dB @ 138 kHz
	0.22 dB @ 3.75 MHz
	0.28 dB @ 5.8 MHz
	0.35 dB @ 8.5 MHz
Return Loss (Typical) .....	7.83 dB @ 25 kHz
	21.47 dB @ 138 kHz
	29.49 dB @ 3.75 MHz
	32.13 dB @ 5.8 MHz
	31.92 dB @ 8.5 MHz
DC Loop Current .....	0-100 mA
DC Loop Voltage .....	0 to -60 V
DC Resistance.....	≤25 ohms
Insertion Loss (Voice Band).....	<1.0 dB
Attenuation Distortion (Voice Band) .....	< ±1.5 dB
Delay Distortion (Voice Band).....	<200 μs
Return Loss (Voice Band) .....	8 dB ERL; 5 dB SRL-Low;
	5 dB SRL-High
Longitudinal Balance, Two Port Technique, POTS to Line Port (U-R); Line Port to POTS.....	>58 dB @ 0.2 to 1 kHz
	>53 dB @ 3 kHz
XDSL Band Attenuation .....	>65 dB @ 30 kHz - 300 kHz
	>55 dB @ 301 kHz - 20 MHz
Tip to Ring Capacitance (POTS Port).....	<115 nF
Input Impedance (Loading the ADSL Band).....	<0.25 dB @ 30 kHz - 30 MHz
Storage and Operating Temperature.....	-55 to +85 °C

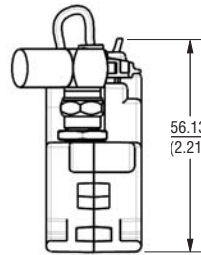
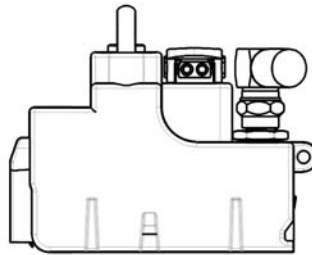
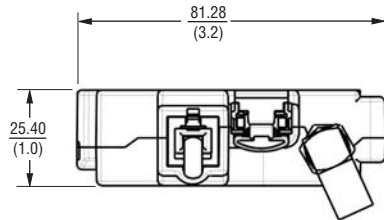
### How To Order

Bus Mount.....	Part #3617-02 50 units per carton
----------------	--------------------------------------

# 3617-02 VDSL-POTS Splitter-Filter-BalUn

**BOURNS®**

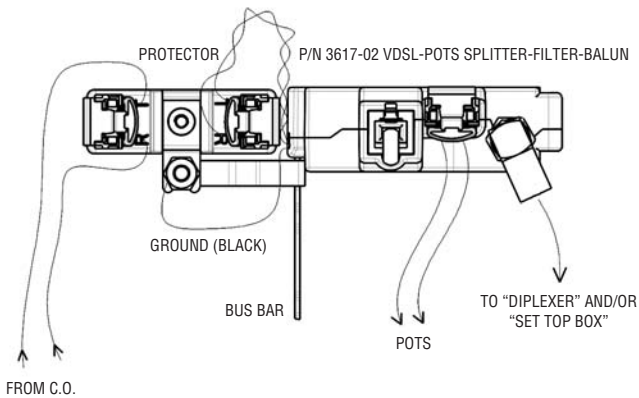
## Product Dimensions



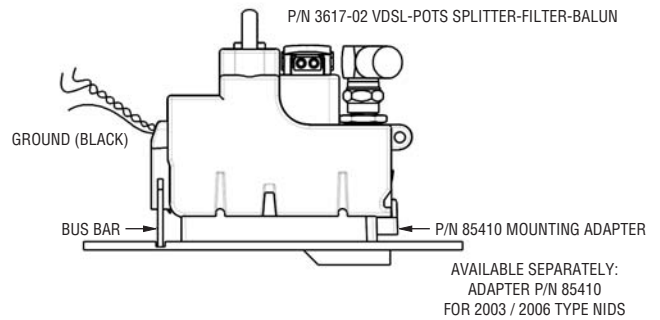
DIMENSIONS:  $\frac{\text{MILLIMETERS}}{\text{(INCHES)}}$

## Installation Diagrams

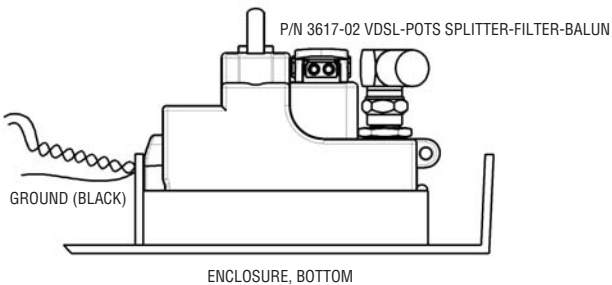
### Fits Uni-NID



### Fits NI-2000



### Fits 7600 NID



#### Asia-Pacific:

Tel: +886-2 2562-4117

Fax: +886-2 2562-4116

#### Europe:

Tel: +41-41 768 5555

Fax: +41-41 768 5510

#### The Americas:

Tel: +1-951 781-5500

Fax: +1-951 781-5700

[www.bourns.com](http://www.bourns.com)

REV. A 11/09

Specifications are subject to change without notice.  
Customers should verify actual device performance in their specific applications.