

\*RoHS COMPLIANT



**BOURNS®**

### Features

- Sealed construction (housing sealing according to DIN IEC 68 part 2 - 17 Qc2)
- Additional models and versions available; e.g., locking bushing for locking the shaft
- Cermet resistive element

## 0621 - Rotary Potentiometer

### Characteristics

Mechanical Angle .....270 °  
 Starting Torque.....0.7 to 2 Ncm  
 End Stop Strength .....100 Ncm max.  
 Shaft Push-Pull Force.....100 N max.  
 Resistance Range  
 .....100 ohms to 1 megohms  
 Resistance Taper.....Linear  
 Power Rating.....2 W linear  
 Temperature Range.....-55 °C to +125 °C  
 Rotational Life.....10,000 cycles

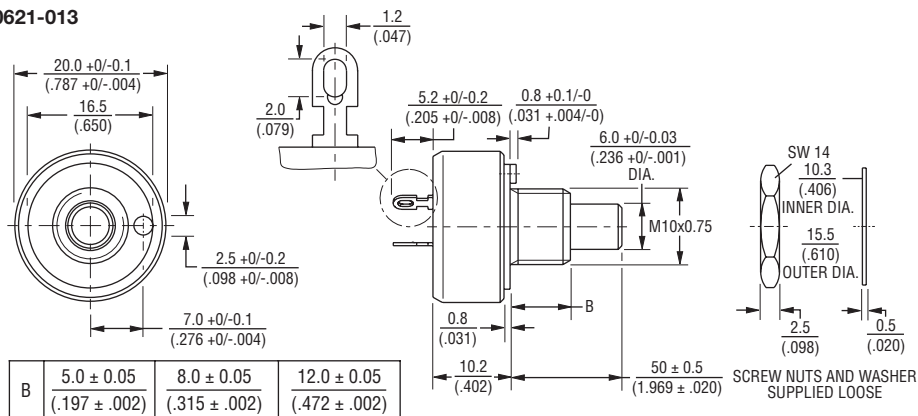
### How to Order

**0621 - 013 K 500 - A B 103**

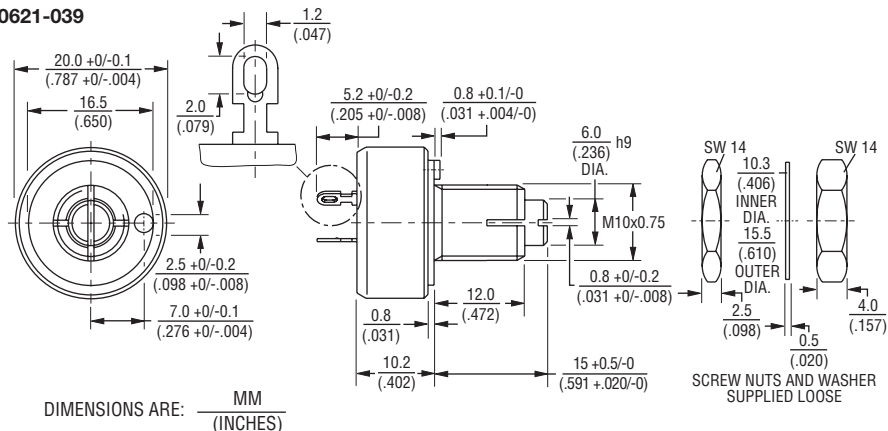
- Model Type  0621
- Terminal Style
- 013 (Available with K & M bushing type only)
  - 039 with locking bush (Available with N bushing type only)
- Bushing & Shaft Type
- K = 10 mmD x 8 mmL, Shaft 6 mmD
  - M = 10 mmD x 5 mmL, Shaft 6 mmD
  - N = 10 mmD x 12 mmL, Shaft 6 mmD
- Shaft Length
- 500 = 50 mm
  - Other lengths avail. upon request.
- Independent Linearity
- A = ±5 %
  - Other versions available upon request.
- Element Taper
- B = Linear Cermet ±20 %
  - E = Linear Cermet ±10 %
  - L = Linear Cermet ±5 %
- Resistance Code
- Other versions available upon request.

### Product Dimensions

#### 0621-013



#### 0621-039



### Standard Resistance Table

Resistance (Ohms)	Resistance Code
100	101
220	221
470	471
1,000	102
2,200	222
4,700	472
5,000	502
10,000	103
22,000	223
47,000	473
100,000	104
220,000	224
470,000	474
1,000,000	105